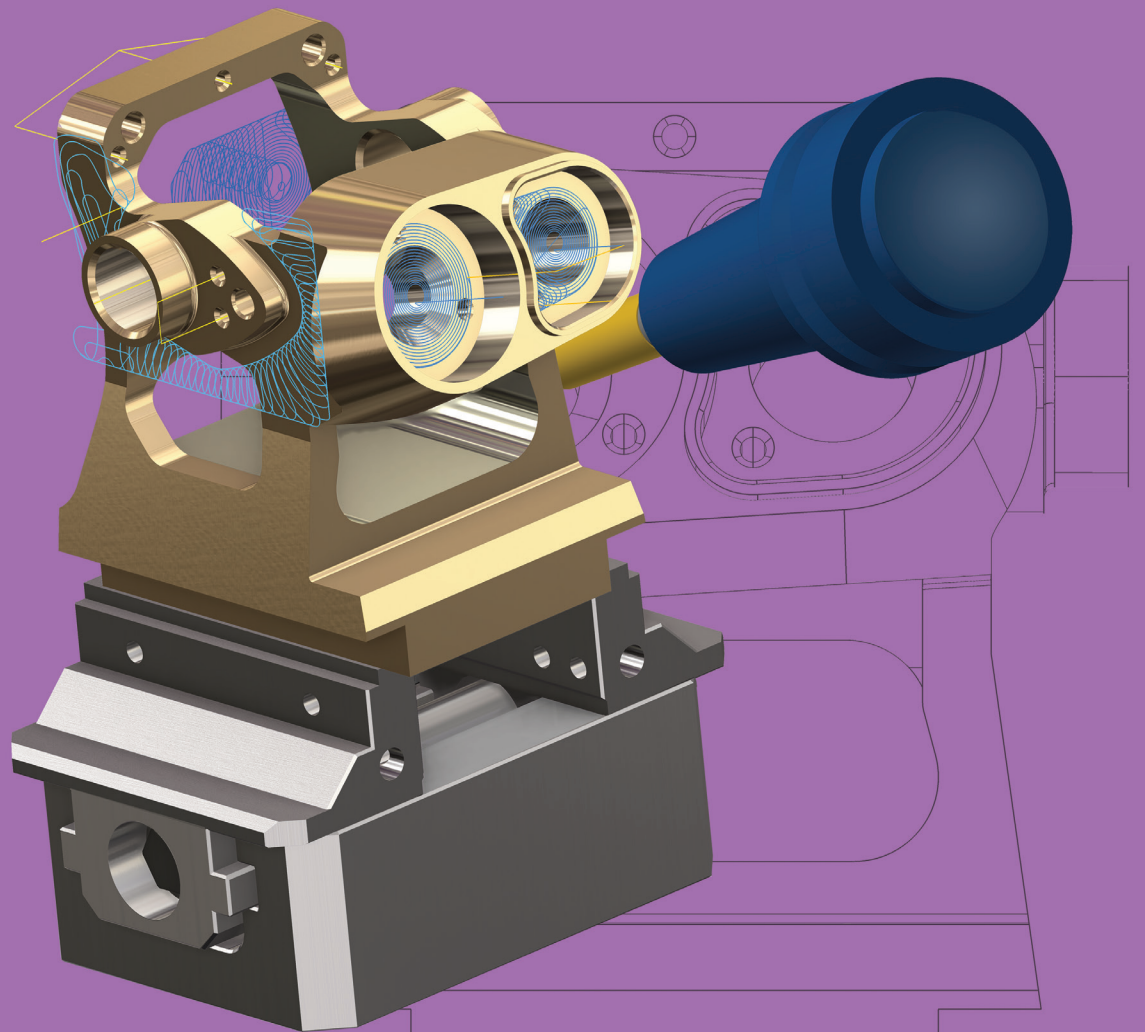




# MASTERCAM for SOLIDWORKS®



Mastercam for SOLIDWORKS® combines the world's leading modeling software with the world's most widely used CAM software.

**Mastercam** 2020



Mastercam Mill, Mill 3D, Lathe, Router, and Router 3D **include** the option to run a corresponding Mastercam for SOLIDWORKS® environment. **Standalone** licenses of Mastercam for SOLIDWORKS® Mill, Mill 3D, and Lathe products are also available for purchase.

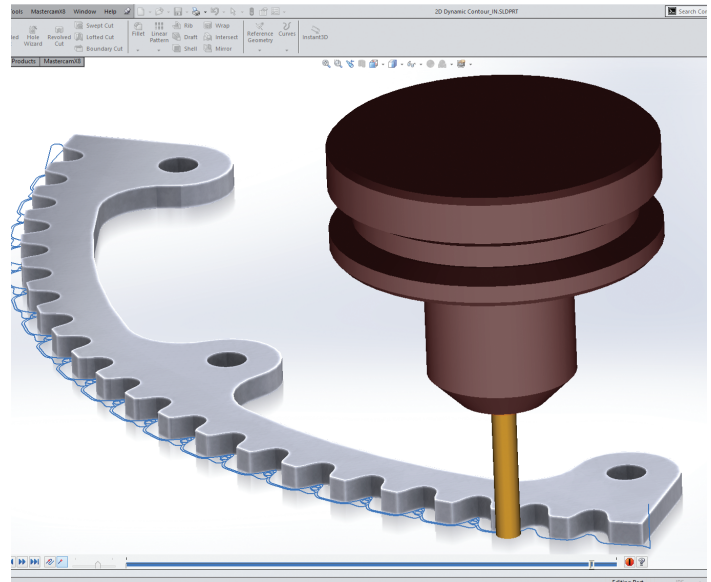
# SOLIDWORKS USERS FEEL AT EASE WITH MASTERCAM

Mastercam for SOLIDWORKS combines the world's leading modeling software with the world's most widely used CAM software.



With Mastercam toolpaths integrated directly within the SOLIDWORKS environment, the toolpaths are applied directly to the part or assembly. Intelligent use of design tables and multiple configurations makes working with families of parts easy.

*As a Certified Gold Product, Mastercam for SOLIDWORKS delivers the absolute best in 2- through 5-axis milling, routing, and turning CAD/CAM integration.*



## TIME AND MONEY

**100 steel (4140) parts cut with and without Dynamic toolpaths.**

### WITH

3 mins. 17 secs.

\$100/hour machine cost

3 mins. 17 secs. x \$100/hour  
= \$6.03

\$6.03 per part  
x 100 parts =  
**\$603**

### WITHOUT

16 mins. 41 secs.

\$100/hour machine cost

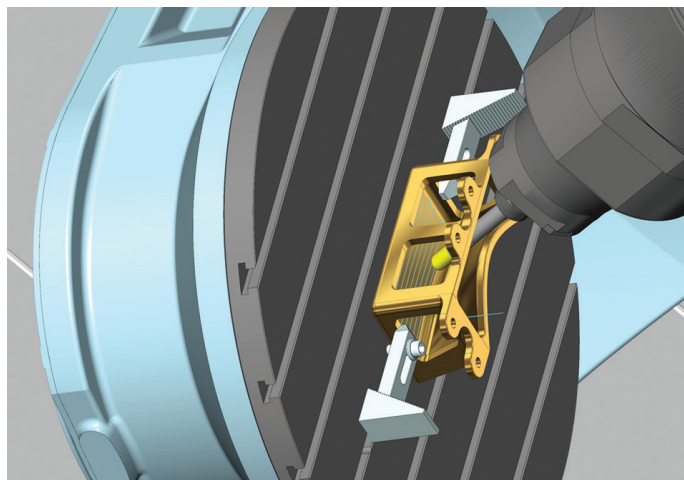
16 mins. 41 secs. x \$100/hour  
= \$27.81

\$27.81 per part  
x 100 parts =  
**\$2,781**

**Real world savings  
of 78%**

## Flexible and expandable.

No matter how complex a part, with toolpath associativity, any modification to the job means the toolpaths are updated immediately. You can also build a library of your favorite machining strategies, apply them to a part, and Mastercam helps adapt them to the new model. Because Mastercam for SOLIDWORKS is a fully integrated SOLIDWORKS Certified Gold Product, it's fast, easy, and productive — the way programming should be.



*Mastercam's active Stock Model, Toolpath Verification, and Simulation mean increased confidence on every project. Tool library support, including CoroPlus® and MachiningCloud, helps you make tooling decisions fast.*

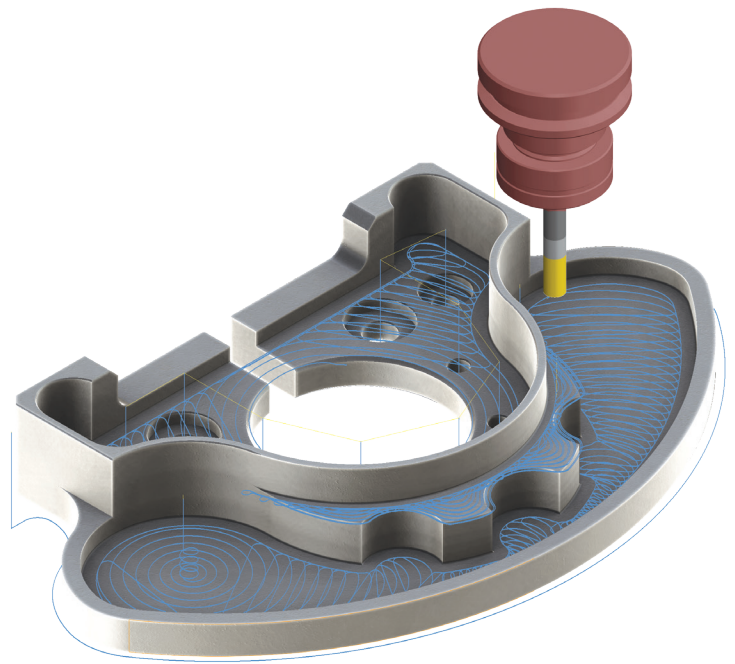
# 2D MACHINING

## Serious 2D capability.

Your daily needs for 2D machining can range from simple to very complex. Mastercam for SOLIDWORKS delivers the tools you need.

- **Feature Based Machining (FBM)** automatically programs prismatic solid features like drill holes, contours, and pockets.
- **Remachining** uses smaller tools to automatically clean out material left from previous operations.

Dynamic Motion powers much of our 2D solutions. It allows you to maximize your material removal rate and can lower your cycle time, while increasing the life of your cutting tools. Check out [Mastercam.com/Dynamic](http://Mastercam.com/Dynamic) to learn more.

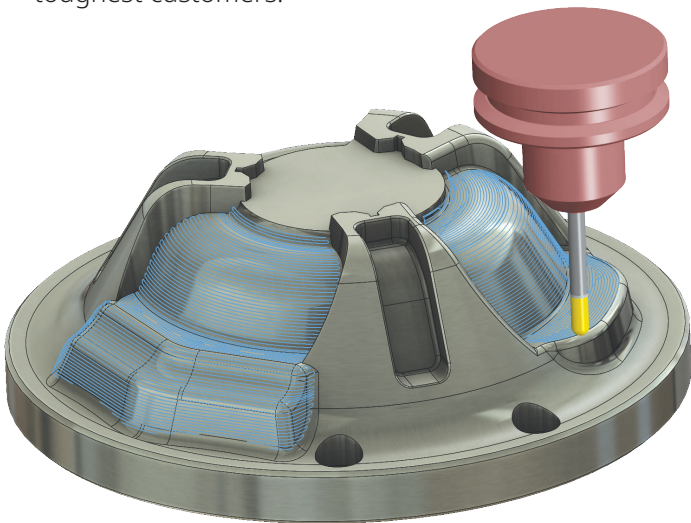


*2D toolpaths in Mastercam for SOLIDWORKS deliver easy and optimized pocketing, contouring, drilling, facing, and more.*

# 3D MACHINING

## Our finish is more finished.

Mastercam delivers superior finishes and optimized cycle times. Our smart, hybrid finishing creates a single toolpath that changes cut methods as the slope of the model changes. Our refined 3D toolpaths give you the smooth, precision finish to please even your toughest customers.



*From the smallest medical part to the largest automotive mold, Mastercam for SOLIDWORKS ensures efficient roughing and precision finishing for any product.*

- **Dramatically efficient roughing** powered by Mastercam's Dynamic Motion technology.
- Equal Scallop strategy provides superior surface finish and smooth machine motion.
- Constant-Z rest milling (remachining) identifies and machines areas that need to be cut with a smaller tool.
- **Hybrid finishing** creates a single toolpath that changes cut methods as the slope of the model changes.
- **Pencil tracing** walks a tool along intersections to clean out hard-to-reach areas, such as internal fillets.

## TIME AND MONEY

"Mastercam for SOLIDWORKS is making my job easier. I've been using Dynamic toolpaths to get better finishes. It works so well that I'm getting work done in half the time."

Nolan Farmer, Owner  
Farmer Plastics & Machining, Inc., Jamestown, CO

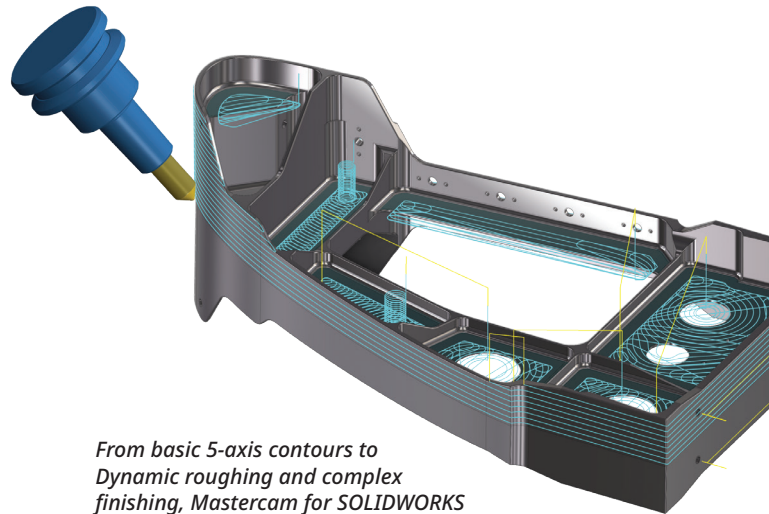
# MULTIAXIS MACHINING

## Complexity simplified.

Mastercam for SOLIDWORKS gives you streamlined control over the three crucial elements of multiaxis machining: cut pattern, tool axis control, and collision avoidance. From 4-axis rotary and roll die cutting to multiblade impellers with tight internal cuts, Mastercam helps simplify even the most complex jobs.

Other highlights include:

- **Multisurface 5-axis** roughing and finishing (including depth cuts), plunge roughing, and flowline machining.
- Swarf machining over multisurface floors.
- **Advanced gouge checking** and safe tool motion around the work piece.
- Fast, simple 5-axis trimming and stock-aware drilling.
- Easy creation of complex, 5-axis motion from simple, 3-axis toolpaths.

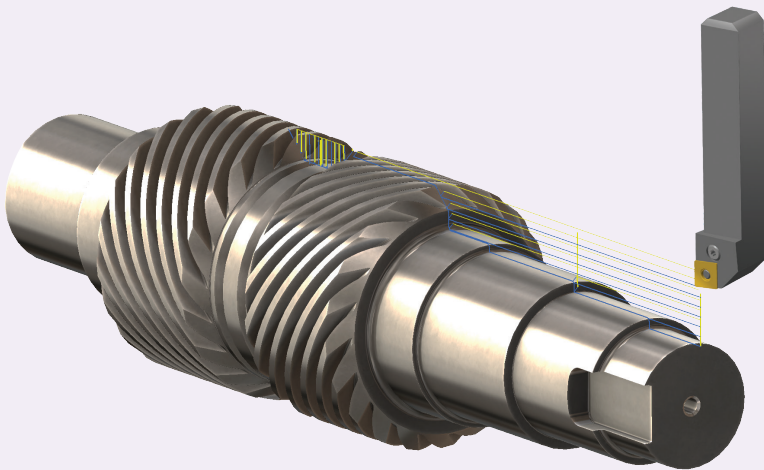


*From basic 5-axis contours to Dynamic roughing and complex finishing, Mastercam for SOLIDWORKS streamlines multiaxis programming by design.*

# TURNING

## Fully integrated within SOLIDWORKS.

Powerful turning strategies in Mastercam for SOLIDWORKS complement our milling toolpaths, giving you a complete turning toolkit. Functionality includes:



- Easy roughing, finishing, threading, grooving, boring, drilling, and cut off.
- Face and cross contouring and drilling.
- Intelligent ID and OD roughing, including roughing to a boundary for castings.
- **Dynamic Motion** roughing to extend insert life.
- Tool Inspection to check tool wear conditions during your roughing, finishing, and grooving operations.
- Toolpath verification to ensure your parts are machined as intended.

For more information, contact a local Mastercam expert at  
[Mastercam.com/Resellers](http://Mastercam.com/Resellers).