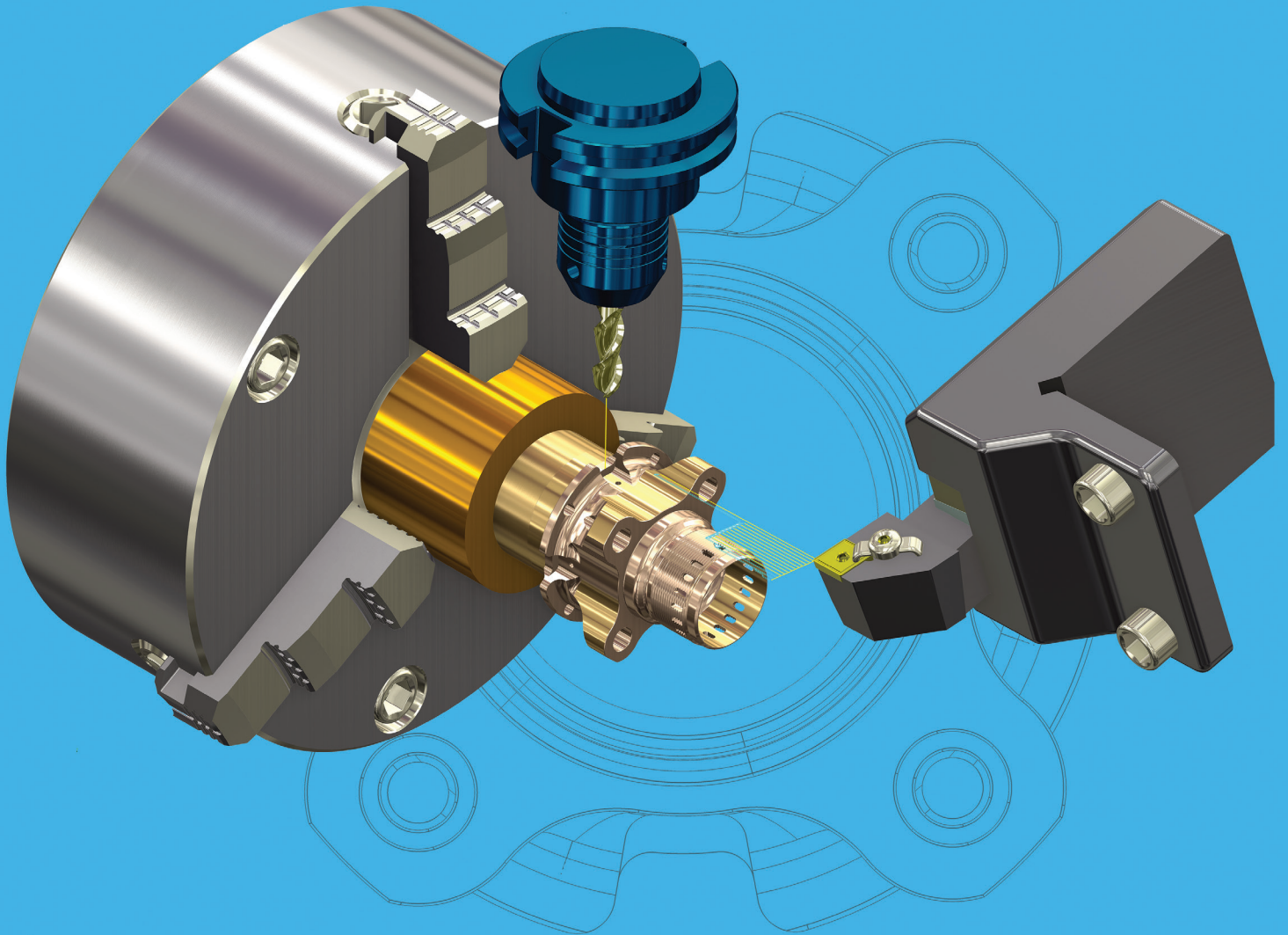




MILL-TURN



Automate your complex programs on today's high-powered, multitasking machining centers. Program it right the first time, every time.

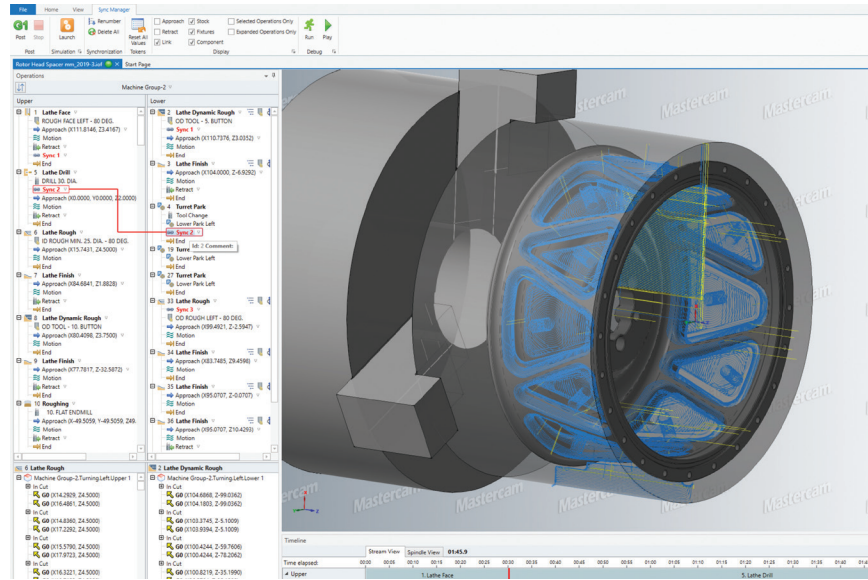
Mastercam 2020

SIMPLIFY COMPLEX MACHINING

Mastercam Mill-Turn simplifies today's high-powered, multistream machining centers.

With Mastercam, your workflow is efficient. Choose your machine, and Mastercam Mill-Turn automates part transfers, tool planes, stock definition, and setup. Then apply your toolpaths, quickly synchronize them, verify your project with simulation, and post your code. Changes along the way are fast and easy — the way programming should be.

Mill-Turn's Sync Manager is a user-friendly way to optimize part cycle times and manage interactions between toolpath operations. Easily navigate our Gantt-style timeline and vertical stream interface to coordinate operations and track cycle times.



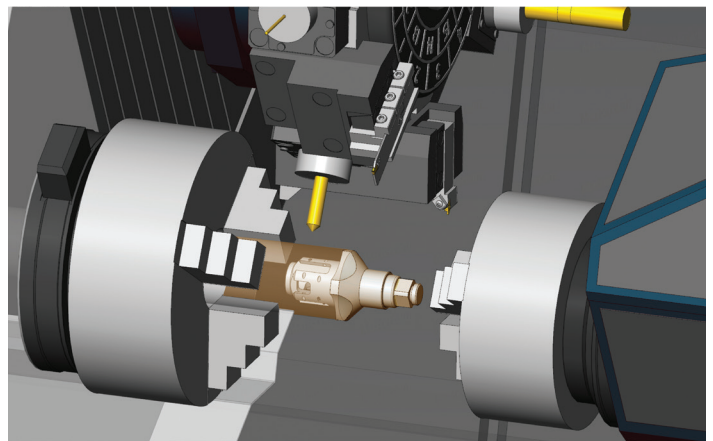
Fast, flexible setup, synchronization, and simulation combine to help you get the most out of your mill-turn machines.

Get more out of your machines with Machine Simulation.

Machine Simulation provides visual verification and assurance that the interaction and syncing between operations performs exactly as you planned. Validate against potential collisions and track cycle time estimates to achieve maximum efficiency.

Avoid mistakes. Save time and money.

All machine components, workholding, stock, tools, and parts are simulated from the safety of your desktop, ensuring a safe and secure machining experience. You can identify potential collisions, see your cutting motion, and explore ways to optimize your processes with simulation. View all streams and statistics of the entire machining process with the capability to jump to any point in the process with the click of a button.



Get the most from your machine with multistation and half-index tool support.

**For more information, contact a local Mastercam expert at
Mastercam.com/Resellers.**