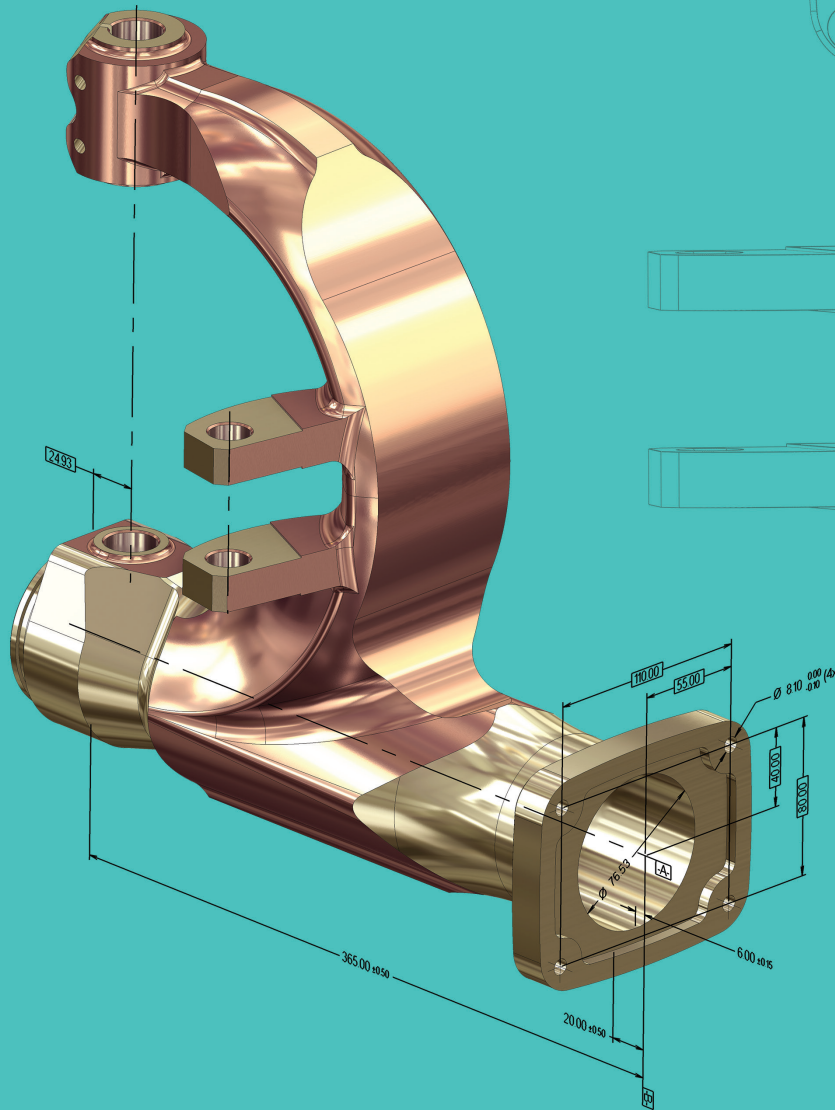




# DESIGN

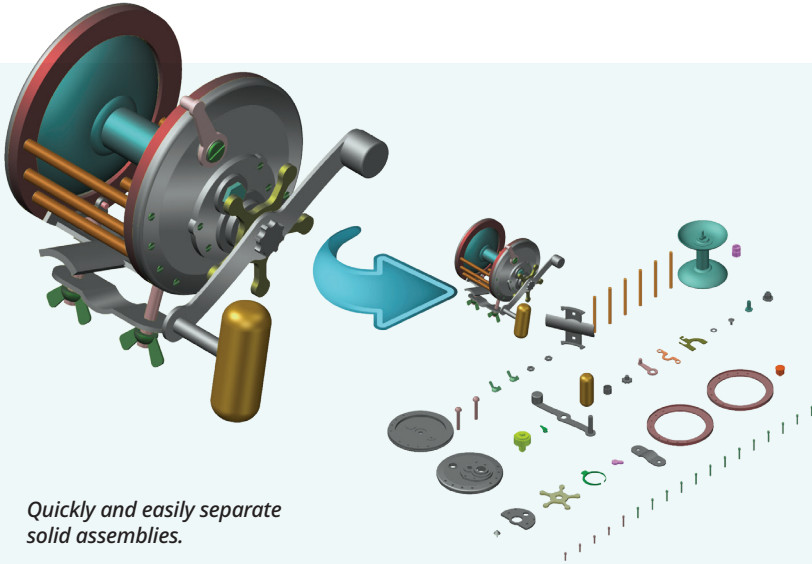


Streamlined CAD makes design work easier than ever.

**Mastercam** 2020

# MODELING AND PREP TOOLS GET YOUR PARTS ON AND OFF THE MACHINE QUICKLY

Whether you're bringing in a file from an outside CAD package or designing one yourself, Mastercam's powerful CAD engine gives you control over the final details of even the most complex jobs.



*Quickly and easily separate solid assemblies.*

## Work with your existing CAD files.

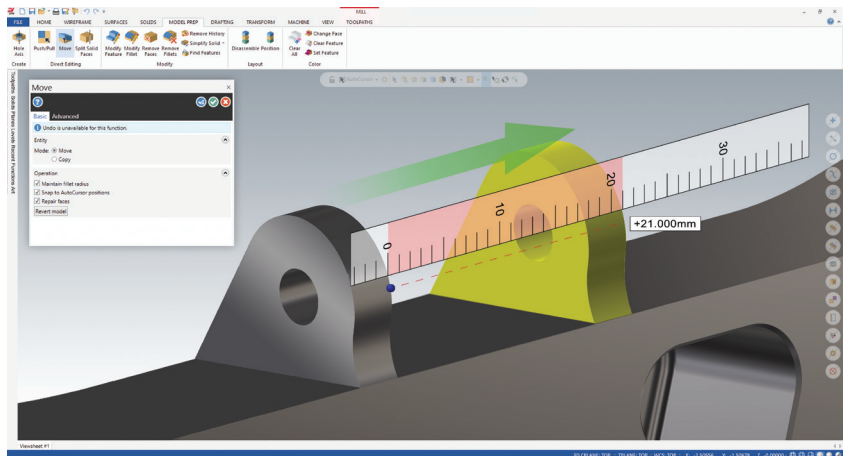
Mastercam helps to preserve design intent with Model Based Definition (MBD) support and acceptance of varied file formats. These include IGES, Parasolid®, SAT (ACIS solids), AutoCAD® (DXF, DWG, and Inventor™ files), SOLIDWORKS® (including history tree), Solid Edge®, SpaceClaim, STEP, STL, and more. Add-On translators are available for Siemens NX, CATIA™, Pro/E (PTC Creo), and more.

## Whether you are prepping customer files...

Getting a part file from an outside source can pose unique challenges. You might need to repair a surface, work with a mesh, cap or hide a feature, create an electrode, or just make sure your fixtures are represented on the part. Mastercam includes a powerful set of model prep tools to make sure the process goes smoothly. From robust surface creation and editing to “push-pull” solid model editing, Mastercam gives you the tools to bring a part from the designer’s desk to your machining process, fast.

## ...or designing your part from scratch.

Having powerful CAD at your fingertips makes your CAM system that much more effective. Mastercam includes a robust set of modeling tools, from complete wireframe and surface modeling to solid modeling. A true hybrid modeling system, Mastercam lets you create, combine, and machine whichever CAD geometry suits your needs.



*Push, pull, remove, and directly edit features on new or imported solids, even if they have no history.*

For more information, contact a local Mastercam expert at  
[Mastercam.com/Resellers](http://Mastercam.com/Resellers).